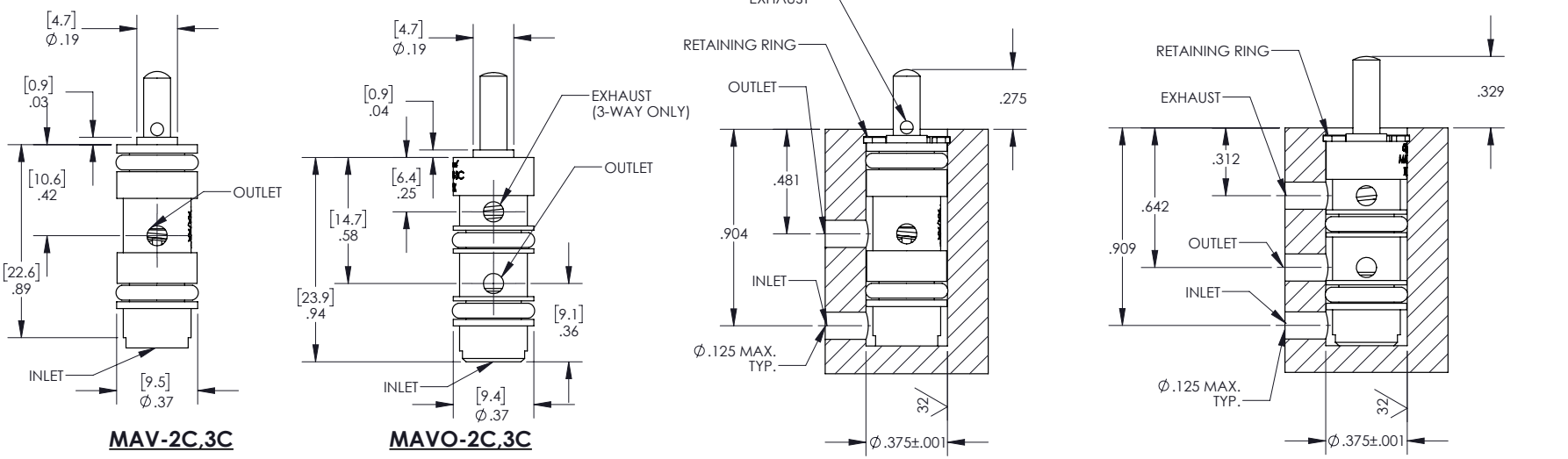
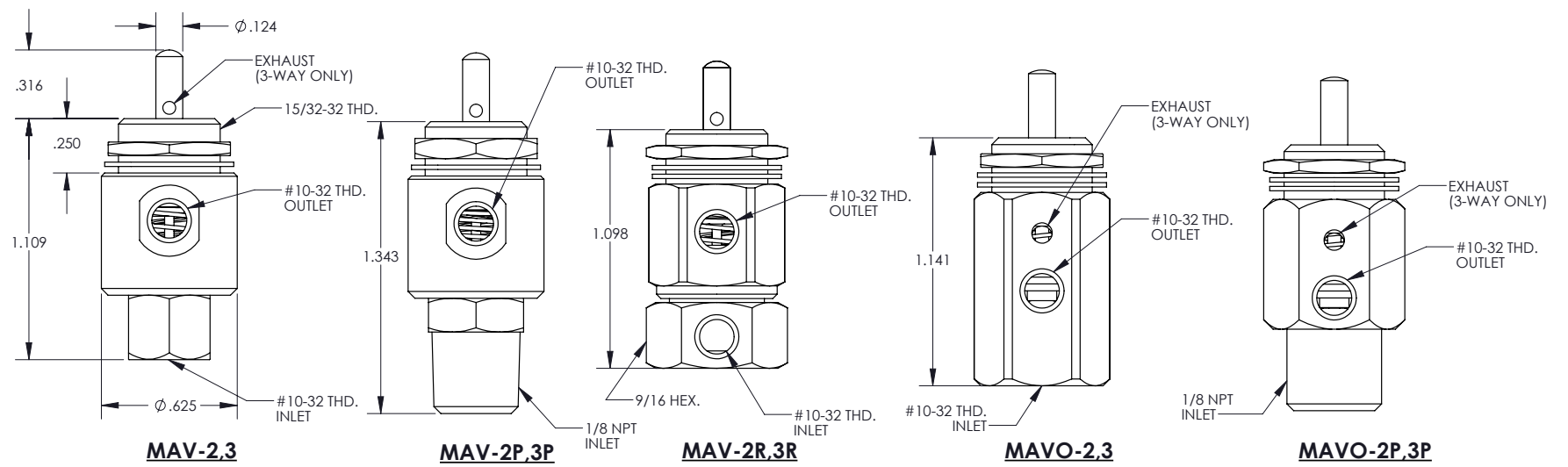


MAV
DWG. NO.



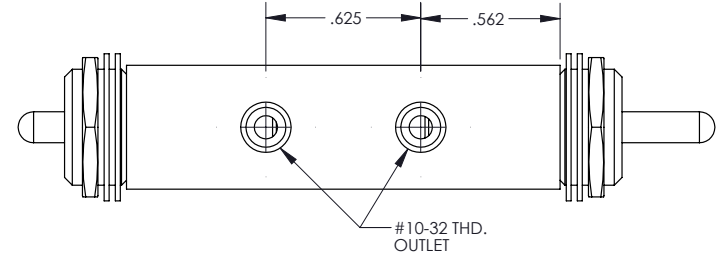
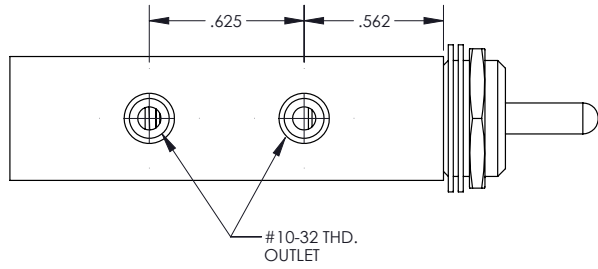
REV	ECO	DATE	COMMENTS
			DRAFT

This drawing is the property of CLIPPARD INSTRUMENT LABORATORY, INC. who claims proprietary rights to all information disclosed.

MATERIAL		UNLESS SPECIFIED		CLIPPARD INSTRUMENT LAB., INC. www.clippard.com	
FINISH		DIMENSIONS ARE IN INCHES			
DR. BY GJH		DATE 02-11-20		PART NAME	
CK. BY		ENGR.		SCALE 2:1 SHEET 1 OF 2 DWG. NO. MAV	

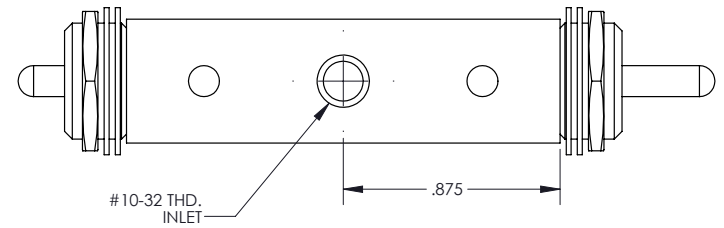
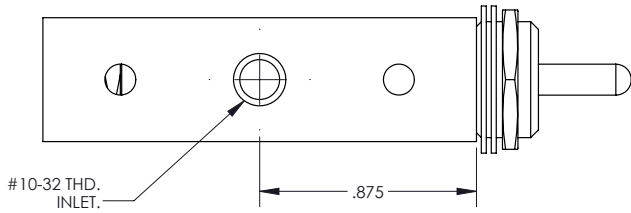
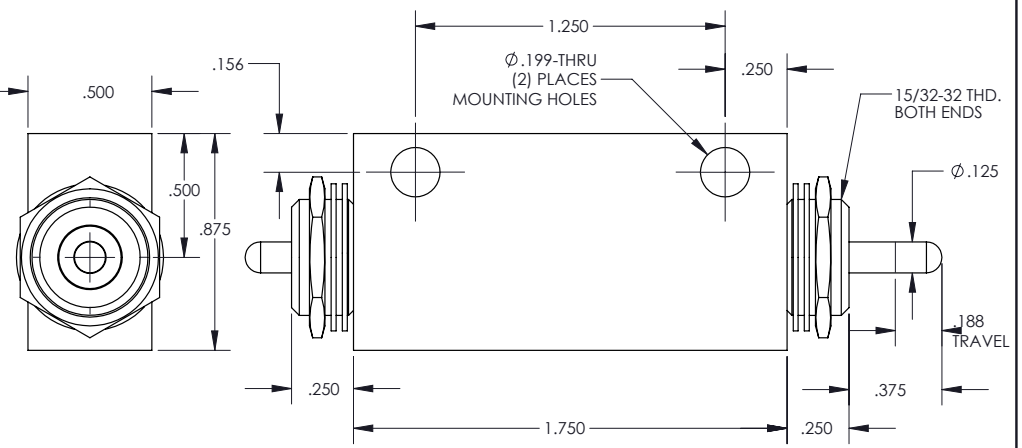
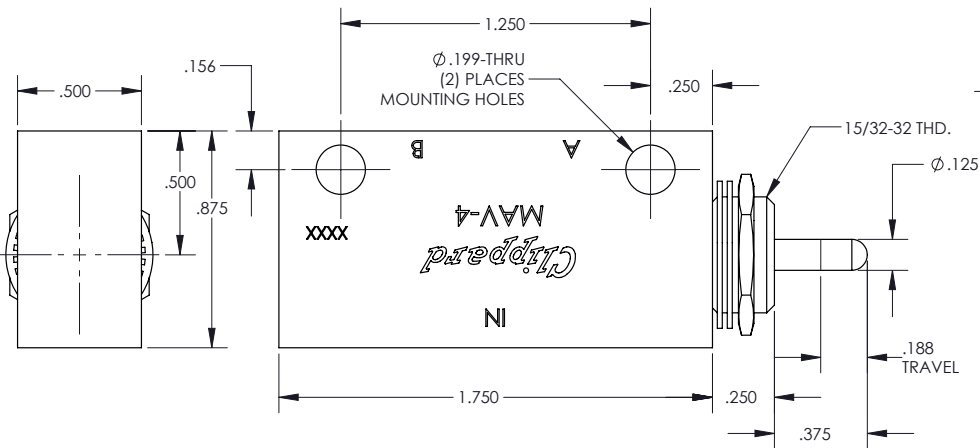
MAV

DWG. NO.



MAV-4

MAV-4D



REV	ECO	DATE	COMMENTS
			DRAFT

This drawing is the property of CLIPPARD INSTRUMENT LABORATORY, INC. who claims proprietary rights to all information disclosed.

MATL. ~	UNLESS SPECIFIED	CLIPPARD INSTRUMENT LAB., INC. www.clippard.com
FINISH ~	DIMENSIONS ARE IN INCHES	
DR. BY GJH	DATE 02-11-20	PART NAME MAV-4 ASSEMBLY
CK. BY	ENGR. JN	SCALE 2:1 SHEET 2 OF 2 DWG. NO. MAV
	TOLERANCES: .XX = ± ~ .XXX = ± ~ ANGLE = ± ~° SURFACE FINISH = ~	